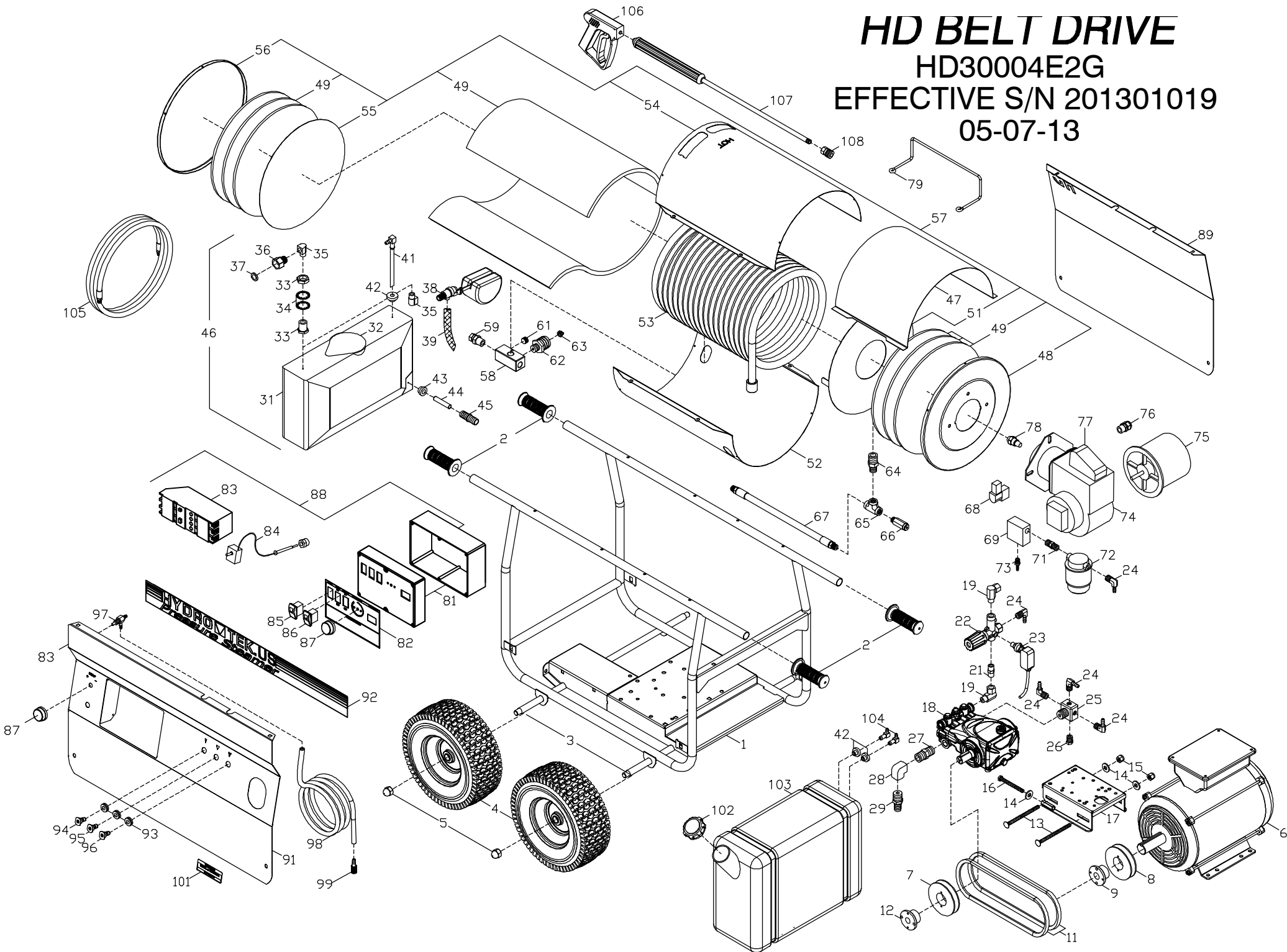


HD BELT DRIVE

HD30004E2G

EFFECTIVE S/N 201301019
05-07-13



HD30004E2G (BELT DRIVE) PARTS LIST

S/N201301019

7-May-13

1	HHD00	HD FRAME STAINLESS	40			79	HHP29	WIRE HOSE HOOK-ZINC PLATED
2	HL010	HAND GRIP 1in MX	41	DF599	FUEL TANK ADAPTER W/PLASTIC TUBE	80		
3	SR625	ROD, THREADED 5/8 ZINCE PLATED	42	DFF04	FUEL TANK BUSHING 1/4	81	HHD52	ELECT BOX HD LASER CUT
4	HT127	WHEEL&TIRE TURF 13x5.00-6 3/4 BEARING GREY	43	DFF10	WATER TANK BUSHING 5/8"	82	GLL82	LABEL CONTROL HD
5	FNA09	NUT ACORN 5/8-11	44	VF050	STRAINER TUBE FOR FLOAT TANK	83	ECC21	CONTACTOR 40AMP 240V 3 POLE DE
6	ME800	MOTOR 8 HP 1ph ODP 208/230	45	D1010	SPLICER 5/8 BRASS	84	ECH50	THERMOSTAT 60-250 1 GP PART=25
7	KU050	SHEAVE 2BK50	46	WT050	FLOAT TANK ASM W/VALVE SPECIFY	85	EC421	ROCKER SWITCH 230V CLEAR
8	KU047	SHEAVE BK47H	47	HHD05	HD/SM BURNER RAIN GUARD	86	EC420	ROCKER SWITCH 230V RED
9	KSH20	BUSHING H 1 3/8 5/16	48	B0304	COIL HEAD 2012 BURNER END BC300	87	ECH70	KNOB; BLUE .25 x 1.500D
10			49	BN053	INSUL BLKT 50SQ' 1/2 x 24 8#25'	88	EHD62	HD PUMP BOX ASSM 6HP 230V 1PH
11	KSB29	BELT BX29	50			89	HHD31	HD REAR PANEL
12	KSH19	BUSHING H24MM	51	BN305	DISC RETAINER 13.0 OD w/HOLE BURNER END	90		
13	FB886	CARRIAGE BOLT 3/8-16 x 6.5	52	B0314	COIL WRAP BOTTOM 1 PASS 2012 BC300	91	HHD34	HD CONTROL PANEL-HD30004E2G
14	FWC06	WASHER CUT 3/8 PLD	53	BC144	COIL 4PK SINGLE PASS 13.0 OD NEW HT MFG	92	GLL75	LABEL HYDRO TEK 34 x 3.00
15	FNL06	NUT LOCK 3/8-PLD	54	B0313	COIL WRAP TOP 1 PASS SH-HD 2012 BC300	93	HLB09	NOZZEL GROMET HOLDER
16	FB648	BOLT 3/8 x 3 ALL THREAD	55	BN327	INSUL DISC RETAINER 13.00 DIA 2012 BC300	94	NQ452	NOZZEL/QDC 045 x 15
17	HCS12	CPS PUMP RAIL SLIDE TALL	56	B0303	COIL CAP OUTLET 14.50 BC300 OUTLET SIDE	95	NQ454	NOZZEL/QDC 045 x 40
18	PG422	PUMP 3.9 @ 3000 psi	57	BC300P	COIL ASM SINGLE PASS 4PK 2012 HD-SH	96	NQ353	NOZZEL/QDC 035 x 25
19	DE866	SWIVEL 3/8"F x 3/8"M 90	58	HHA10	BLOCK 1.5 x 1.5 x 3.5 OUTLET	97	VVC10	CHEMICAL MET VALVE MV-100 MOD
20			59	DE568	SWIVEL 3/8"F x 1.2"M STEEL	98	DHB04	TUBING; CLEAR BRAIDED 1/4
21	DB506	NIPPLE 3/8" STEEL	60			99	VF045	STRAINER CHEMICAL w/CHECK
22	UU260	UNLOADER, ST261 NO SWITCH	61	D1061	PLUG 3/8" FLUSH HEAD HEX STEEL	100		
23	VS030	PRESSURE SWITCH 4000 PA/PR16	62	UPB05	ADAPTER FITTING-BURST DISC	101	GLL20	LABEL DIESEL FUEL ONLY
24	D8040	HOSE BARB 1/4" 90 ELBOW	63	UPB80	BURST DISC 8000psi TORQUE 32-4	102	WT080	FUEL CAP, DIESEL
25	HHA05	MINI MAN IFOLD-BRASS	64	DB507	NIPPLE 3/8" x 1/2" STEEL	103	WT075	FUEL TANK 7.5 DIESEL CLEAR
26	D1040	PLUG 1/4" BRASS	65	DE066	TEE 3/8" STEEL	104	DFE04	FUEL TANK ELL 1/4
27	D2088	NIPPLE 1/2" BRASS	66	UP137	PRESSURE RELIEF 3700 psi BLACK	105	DH050	HOSE 3/8" x 50' 3000 PSI
28	D5088	ELL 1/2" BRASS	67	DH002	HOSE 3/8" x 14" 5000PSI	106	VG200	TRIGGER,GUN INSULATED 4000 PSI
29	D8072	HOSE BARB 5/8H x 1/2M .281id BLUE	68	BPV20	FUEL VALVE 220V	107	VW036	WAND 1/4" x 36" MOLDED GRIP
30			69	BPA10	FUEL PUMP MOD A2V-7116	108	DQ04S	COUPLER 1/4" SOCK FEM
31	WT040	TANK, FLOAT 4 GAL HD LINEAR (NO HOLES)	70			109		
32	HH400	FLOAT TANK COVER; HINGED	71	D2044	NIPPLE 1/4 BRASS			
33	D7520	PANEL FITTING 3/4" BRASS	72	BF020	FUEL FILTER RAYCOR HYDRO TEK			
34	FW701	WASHER FLOAT TANK 1.75 OD 14 GA	73	D8044	BARB, HOSE 1/4" BRASS			
35	D5566	STREET ELL 3/8" BRASS	74	BU602	BURNER , BECKET AFG 230V			
36	D006M	GARDEN HA 3/8" NPT MALE	75	BM562	BURNER MOTOR 220V BECKET			
37	D0021	SCREEN WASHER GARDEN HA	76	EWC08	STRAIN RELIEF 1/2" HEYCO (3/8)			
38	VVF08	FLOAT VALVE 3/8" BRASS	77	BMT25	IGN TRANSFORMER-IRON CORE 240V BECKET			
39	DHB08	CLEAR BRAID TUBING 1/2" x 8 1/2"	78	BZ225	FUEL NOZZLE 2.25 80B			